

FSI APPLICATION DATA SHEET

CALL 315-986-1613

FAX 315-986-2417

EMAIL ENGINEERING@FALCONSEAL.COM

Customer Information

Company: _____
 Customer Type: _____
 Mailing Address: _____
 City: _____
 State: _____
 Zip: _____

Contact: _____
 Title: _____
 Phone: _____
 Fax: _____
 Email Address: _____

Current Seal Information

Seal Manufacturer: _____
 Seal Part Number: _____
 Seal Type: _____
 Seal Element Material: _____
 Seal Case Material: _____

Approximate Cost: _____
 Approximate Monthly Usage: _____
 Approximate Annual Usage: _____

Application Information

General

Equipment Type: _____
 Bearing Type: _____
 Shaft Attitude: _____

Size/Finish

(A) Shaft Diameter: in mm
 Shaft Surface Finish: _____ micro-inch Ra
 Shaft Surface Hardness: _____ Rockwell-C
 (B) Bore Diameter: in mm
 Bore Surface Finish: _____ micro-inch Ra
 Bore Surface Hardness: _____ Rockwell-C
 (C) Bore Depth: in mm
 (D) Shaft Chamfer: in mm
 (E) Bore Chamfer: in mm
 (F) Distance to Obstruction: in mm

Motion

Type of Motion: _____
 Speed (rotation): RPM fpm mps
 Stroke (reciprocating): in mm
 Speed (reciprocating): cps cpm
 Degrees of Arc: _____
 Speed (oscillation): cps cpm

Alignment/Movement

Radial Misalignment (STBM): in mm
 Radial Movement: in mm
 Axial Movement: in mm

Pressure

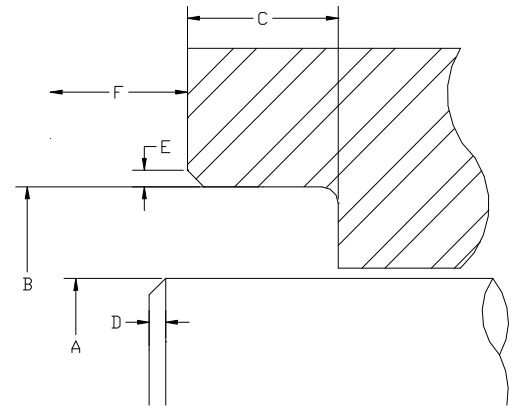
Location: _____
 Pressure Value: psi bar kp

Media

Media Type: _____
 Description: _____
 Manufacturer: _____
 Level: _____
 Location: _____

Temperature

Nominal: F C
 Minimum: F C
 Exposure Time at Minimum: sec min hrs day
 Maximum: F C
 Exposure Time at Maximum: sec min hrs day



Notes